



2020 NEW PRODUCTS







INTRODUCING OUR NEW CORE PRODUCTS

STH Westco are pleased to introduce our exciting new products to enhance and strengthen our range of control valves.

With our 57,000 sq ft warehouse housing over 5,500 product lines available for immediate dispatch, our merchant customers can be certain that the products their customers need can be delivered quickly, with the minimum of fuss. In addition, with our UK-wide sales team and packaging plant on site, we can ensure you receive end-to-end distribution service entirely suited to your business.

Tel: 01942 603 351

| **Fax:** 01942 607 780



Email: salesoffice@westco.co.uk | **Web:** westco.co.uk

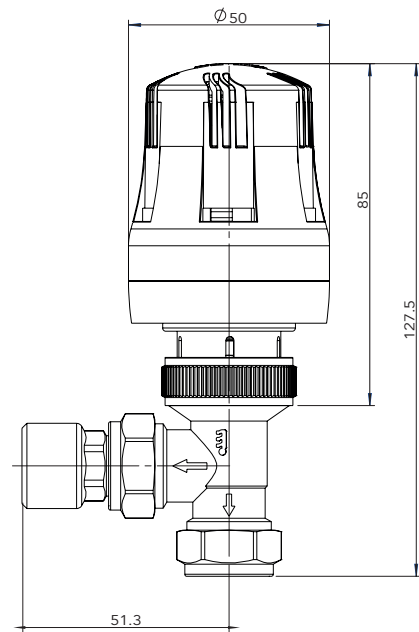
STRATA 2

15MM ANGLE STRATA 2

05950





	1
	24

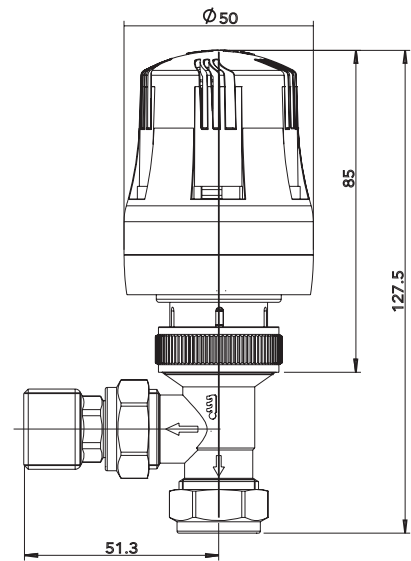


15MM ANGLE STRATA 2 TWIN PK

05951





	1
	24

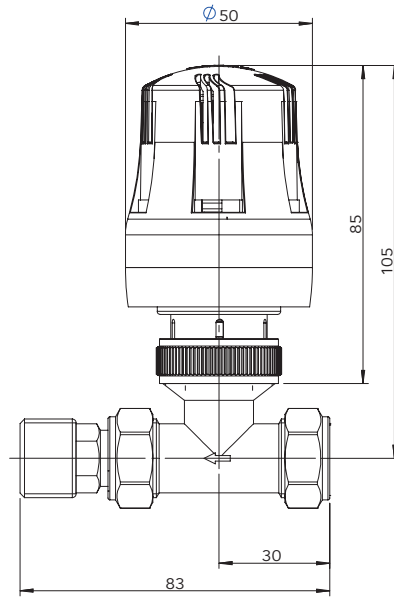


15MM STRAIGHT STRATA 2

05952



	1
	24



SPECIFICATION

- LIQUID SENSOR
- M30 HEAD
- EN 215
- KEY-MARKED
- POLISHED BODY
- 1.0 BAR FLOW DIFFERENTIAL
- BI-DIRECTIONAL ANGLE PATTERN
- 10 BAR RATED
- 5 YEAR WARRANTY



Your Price:

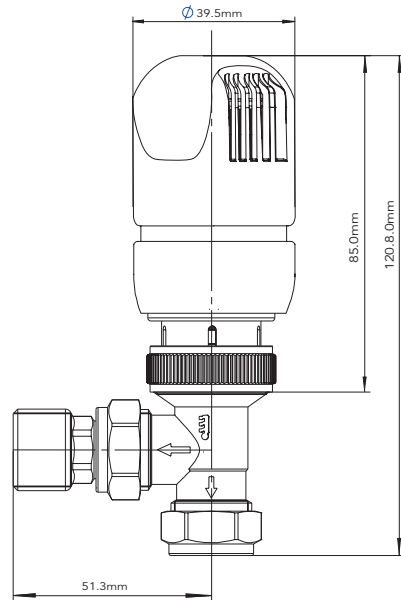
WESTHERM CLASSIC

15MM ANGLE WESTHERM CLASSIC

05510





	1
	24

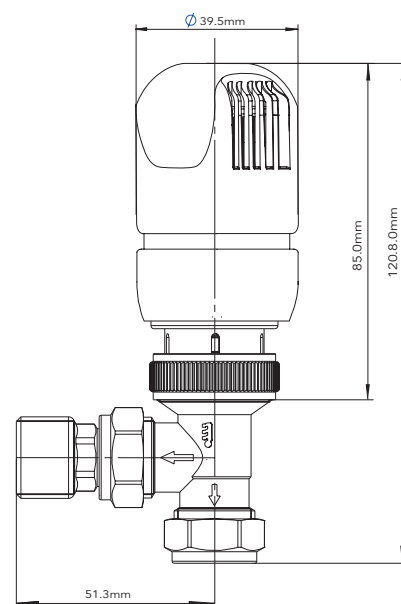


15MM ANGLE WESTHERM CLASSIC TWIN PK

05511





	1
	24

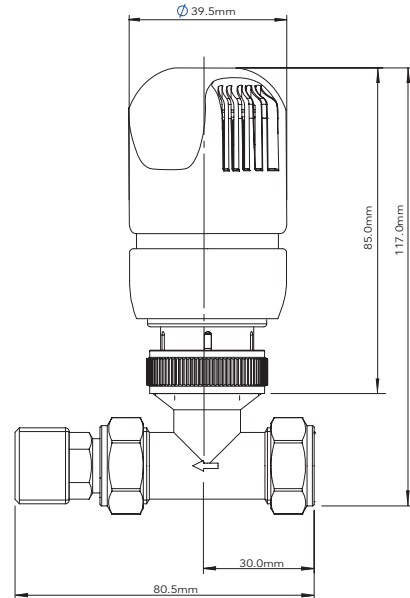


15MM STRAIGHT WESTHERM CLASSIC

05512



	1
	24



SPECIFICATION

- LIQUID SENSOR
- M30 HEAD
- EN 215
- KEY-MARKED
- POLISHED BODY
- 1.0 BAR FLOW DIFFERENTIAL
- BI-DIRECTIONAL ANGLE PATTERN
- 10 BAR RATED
- 5 YEAR WARRANTY

Your Price:

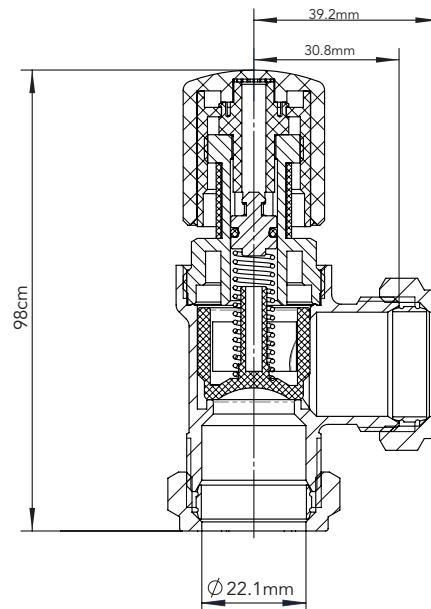
NEW WESTHERM PACKAGING



DIFFERENTIAL BYPASS VALVE

22MM WESTCO DIFFERENTIAL BYPASS VALVE

66300



1
10
40

SPECIFICATION

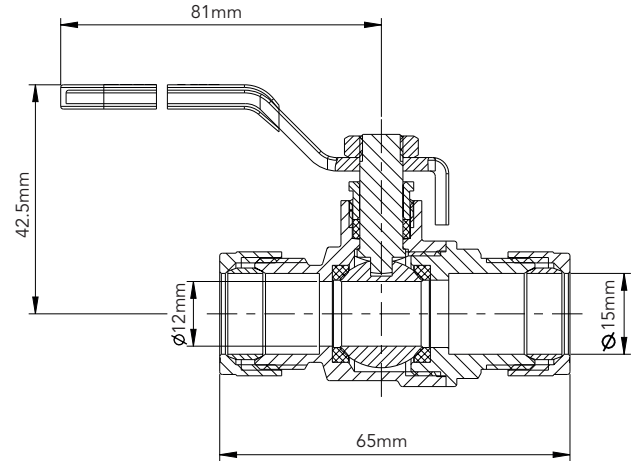
- FLOW FROM 50 - 2000 L/H
- LOCKABLE HEAD
- SETTINGS: 0.1 TO 0.5 BAR
- MAX TEMPERATURE 120°C
- MIN TEMPERATURE -10°C
- PROTECTS SYSTEM
- CW617N BODY



Your Price:

LEVER BALL VALVE | RED HANDLE

15MM C x C WESTCO LEVER BALL VALVE RED HANDLE

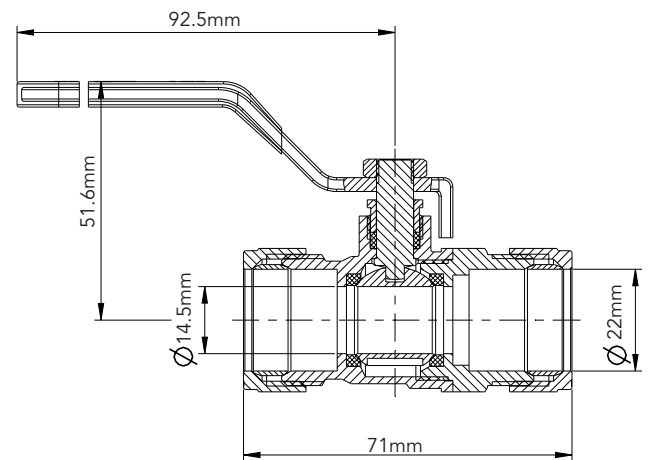
31150




	1
	60

22MM C x C WESTCO LEVER BALL VALVE RED HANDLE

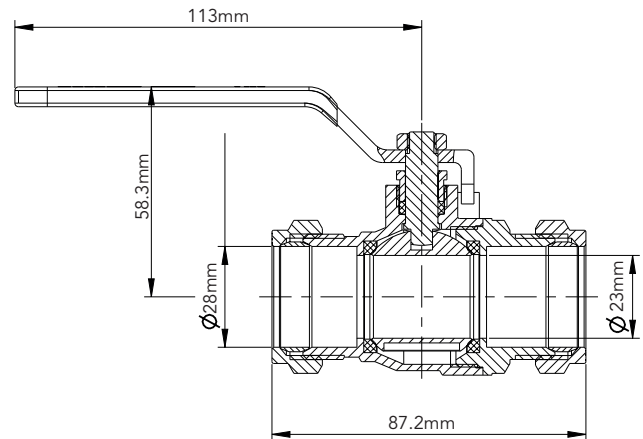
31151





	1
	45

28MM C x C WESTCO LEVER BALL VALVE RED HANDLE

31152



	1
	20

SPECIFICATION

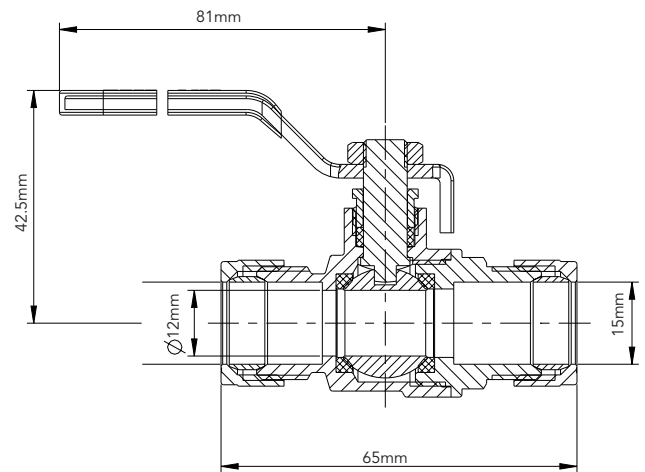
- EN 1254 / 2 COMPRESSION ENDS
- 2 YEAR WARRANTY
- STAINLESS STEEL ISOLATION BALL
- RUST RESISTANT DACROMET LEVERS
- BRASS TWO PIECE BODY
- QUARTER TURN HANDLE

Your Price:

LEVER BALL VALVE | BLUE HANDLE

15MM C x C WESTCO LEVER BALL VALVE BLUE HANDLE

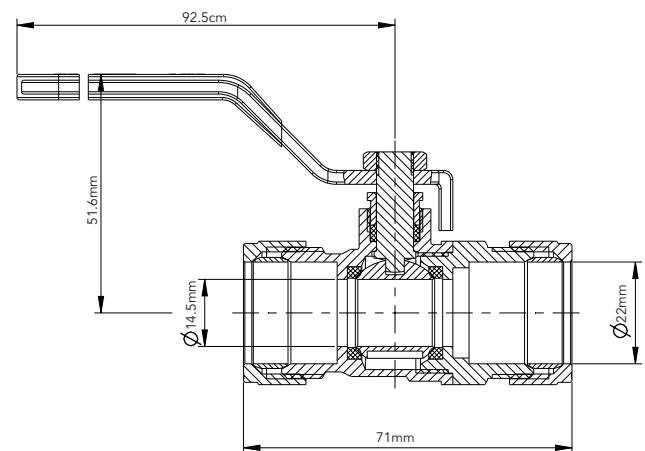
31153



	1
	60

22MM C x C WESTCO LEVER BALL VALVE BLUE HANDLE

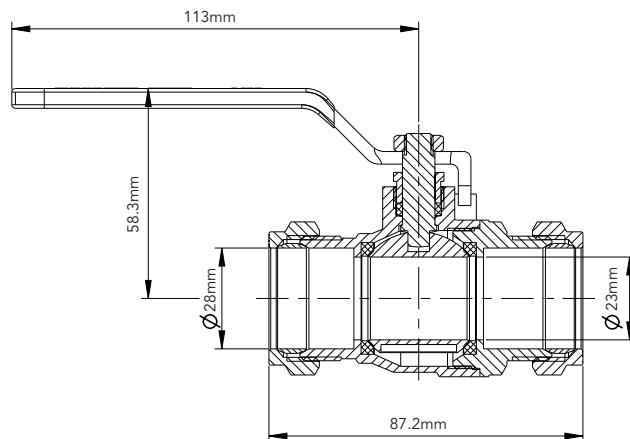
31154





	1
	45

28MM C x C WESTCO LEVER BALL VALVE BLUE HANDLE

31155



	1
	20

SPECIFICATION

- EN 1254 / 2 COMPRESSION ENDS
- 2 YEAR WARRANTY
- STAINLESS STEEL ISOLATION BALL
- RUST RESISTANT DACROMET LEVERS
- BRASS TWO PIECE BODY
- QUARTER TURN HANDLE

Your Price:





For any sales enquiries, please contact:

salesoffice@westco.co.uk

Or contact your Area Sales Manager.



Tel:01942 603 351 | **Fax:** 01942 607 780 |
Email: salesoffice@westco.co.uk | **Web:** westco.co.uk